

# CS 940

MANUAL DOUBLE MITRE SAW 45°

Designed for

**Bespoke**  
Framer

**Retail**  
Framer

**Medium**  
Contract Framer

**Volume**  
Contract Framer



**Electric supply**

230V single phase  
50 / 60 Hz - 3Kw



## TYPE OF MATERIAL

The CS940 can cut wood, MDF and plastic mouldings

Speed

Moulding capacity

Ease of use

Space required



## THE CS940 FROM CASSESE

is a manual double mitre saw 45°. The CS 940 is recognized today as being one of the manual double mitre saw with the best quality cutting for frame mouldings, in wood, MDF and plastic.

The independent & manually controlled cutting stroke gives you total control and perfect cutting quality.

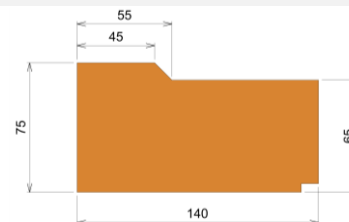
Cutting head carter & 2 robust arms made from premium rust protected Alusi steel reinforce the robustness of the machine.

The CS940 has been designed with the aim of having the best quality of cut while ensuring maximum safety.

### DIMENSIONS

Length	3,294 mm
Width	742 mm
Height	1,503 mm

### CUTTING CAPACITY (mm)



### AIR SUPPLY

6 bars

0.7l / cycle

### WEIGHT

167 kg

### MOTOR'S FEATURES

2 motors

1,5kW, 2 hp each

2,800 rpm (50Hz)

## CUTTING FEATURES



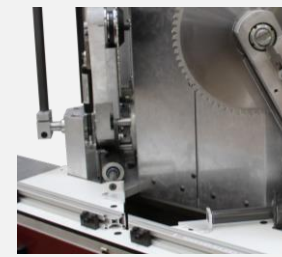
Wide cuts : up to 140mm  
High cuts : up to 75mm



Unique raised radial blade stroke



Independent & manually controlled cutting stroke



2 horizontal + 2 vertical clamps  
(pneumatic & foot operated)



4 colors direct read measuring scales

## SAFETY FEATURES



**CE approved**  
Meets the new EU health & safety regulation for dust collection



Unique brake system motors  
Blades stop within 2 seconds

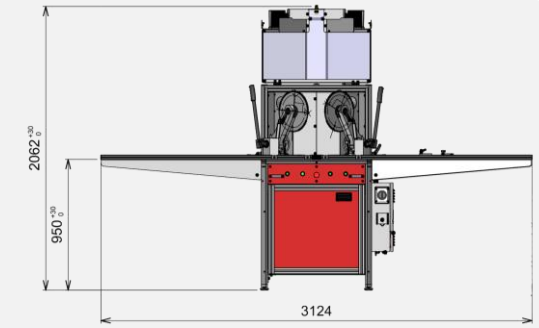
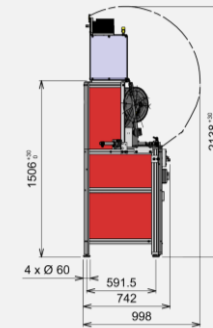


Ergonomic & safe cutting operation  
Keeps hands away from the cutting area



Hardened clearshield window  
For an optimal view of the cutting

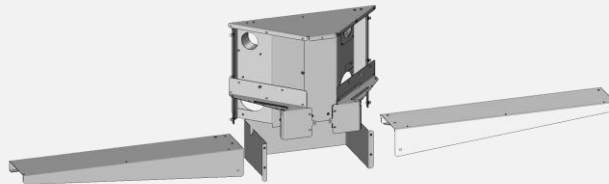
## DIMENSIONS



## CONSTRUCTION & ENGINEERING FEATURES



Narrow profile (742mm - 29 1/2")  
for compact space



Cutting head carter & 2 robust arms made from premium rust protected Alusi steel



Convenient waste catchment



2 integrated dust extraction ports



Synchronized "switching-on" of dust extractor

## INCLUDED ACCESORIES



Premium noise reduction carbide blades  
300mm - 12"  
(Z27230)



1,40m (55")  
measuring and support arms

## OPTIONAL ACCESORIES



Additional right-hand extension arm 1,10m (43")  
(Z27970)