



Inventor and World No.1 Manufacturer of  
Picture Framing Machines & Consumables Since 1976

# CS1 CART

*FOOT OPERATED UNDERPINNER*



MADE IN  
FRANCE

## USER & PARTS MANUAL



READ THIS MANUAL CAREFULLY  
BEFORE USING THE MACHINE



Version 2 11/ 2014  
Cassese® / Communication  
Z26059

## DECLARATION < CE > DE CONFORMITE

Le fabricant soussigné:

CASSESE S.A.R.L. - 8 rue Denis Papin - zone industrielle

77390 Vermeil l'Étang

France

Déclare que la machine neuve désignée ci-après, est conforme:

- aux dispositions réglementaires définies par l'annexe I de la directive européenne:

- 2006/42/CE ;

**ASSEMBLEUSE D'AGRAPHES :**

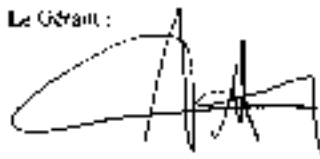
- Manuelle ;

CSICART - N° de serie:

Fait à Vermeil l'Étang

Le 12/04/2013

Le Gérant :



25/11

**CASSESE sarl**

Z.I. - 77190 VERMEIL L'ÉTANG  
SIRET 860 790 863 0001 - CREAFIS 25993  
capital 10 50 000 €  
Tél 01 64 42 49 01 - Fax 01 64 02 16 66

**CS1 CART  
FOOT OPERATED  
UNDERPINNER**

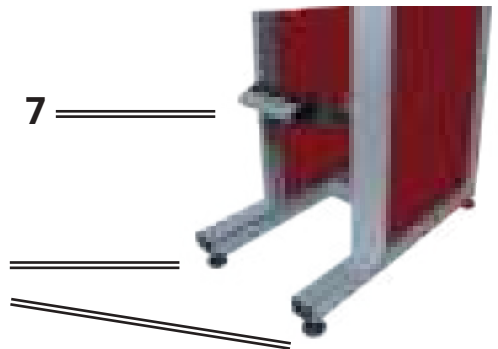
<b>1st BACK FENCE</b>	<b>1</b>
<b>2nd BACK FENCE</b>	<b>2</b>
<b>HANDLE FOR LOADING WEDGES</b>	<b>3</b>
<b>WEDGE DISTRIBUTOR BLOCK</b>	<b>4</b>
<b>WEDGE POSITION STOP HANDLE (inside of frame)</b>	<b>5</b>
<b>WEDGE POSITION STOP HANDLE (outside of frame)</b>	<b>6</b>
<b>PEDAL</b>	<b>7</b>
<b>MAGNETIC ADJUSTABLE ROD CLAMP ASSEMBLY</b>	<b>8</b>
<b>CROSSBAR</b>	<b>9</b>
<b>STAPLING STOP</b>	<b>10</b>
<b>TABLE</b>	<b>11</b>

WORK POSITION REFERENCE



**Fig N°1**

**Fig N°2**



**AFTER UNPACKING THE  
MACHINE, SET THE 4 FEET  
TO LEVEL THE MACHINE**

# CS1 CART - USER & PARTS MANUAL

<b>CONTENTS</b>	<b>Page</b>
<b>INTRODUCTION</b>	2
ACCESSORIES SUPPLIED WITH THE MACHINE	
TECHNICAL SPECIFICATIONS OF CS1 CART	
OPTIONS	
GUARANTEE	
<b>ADJUSTMENTS</b>	
SELECTION OF WEDGE POSITIONS	3
SETTING AND STORING THE WEDGE POSITIONS	3, 4
PROPER ADJUSTMENT OF MAGNETIC ADJUSTABLE ROD CLAMP ASSEMBLY	5
<b>USE</b>	
MEANS OF JOINING	6
LOADING CARTRIDGE WEDGES	6
CHANGING WEDGES SIZE	6
JOINING THE FRAME	7
<b>MAINTENANCE</b>	
A) DISMANTLING THE WEDGE DISTRIBUTOR BLOCK	9
B) CLEANING AND LUBRICATION OF THE WEDGE DISTRIBUTOR BLOCK	10
C) REMOVAL OF THE WEDGE DRIVER BLADE	11
D) INSTALLATION OF NEW WEDGE DRIVER BLADE	12
E) UNJAMMING OF THE WEDGE DISTRIBUTOR BLOCK	13
F) REMOVING THE SIDE PANEL	14
G) REMOVING THE WORKING TABLE WITH THE PEDAL	14
H) REPLACEMENT OF THE WEDGE DISTRIBUTION CHANNEL	
ELASTIC CORD	15

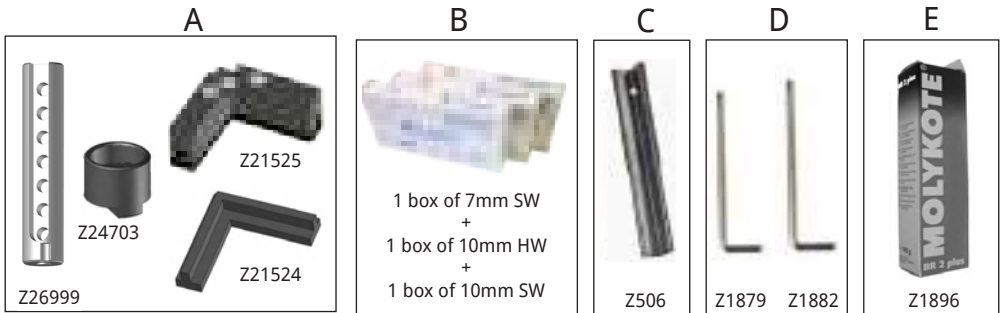
# CS1 CART - USER & PARTS MANUAL

## INTRODUCTION

Thanks for having purchased the CS1 CART underpinner and for your trust in Cassese products. The CS1 CART benefits from Cassese's experience since 1976 in designing and manufacturing highest quality underpinners, for which we are world-famous. The CS1 CART will allow you to join wooden, plastic and MDF profiles (patent n° 7522814). Joining operation is carried out by using Genuine Cassese® Cartridge Wedges, specially designed to perform perfect and tight frame corners.

## ACCESSORIES SUPPLIED WITH THE MACHINE

- A) 1 Magnetic adjustable rod clamp + 1 Chevron holder + 1 Magnetic chevron clamp + 1 Chevron rubber.
- B) 1 box of 7mm Softwood + 1 box of 10mm Hardwood + 1 box of 10mm Softwood.
- C) 1 Wedge driver blade for using CASSESE® Genuine Cartridge Wedges.
- D) 1 Allen Key 2.5 mm + 1 Allen Key 3 mm.
- E) 1 Grease Tube.



## TECHNICAL SPECIFICATIONS OF CS1 CART

Minimum moulding width: 5mm (1/4") / Minimum moulding height : 7 mm (11/16")  
Maximum moulding width: ∞ mm / Maximum moulding height : 85 mm ( 3 11/32" )  
Maximum stroke between first and last wedge (at 45°) : 140 mm (5 1/2")  
CASSESE® Genuine Cartridge Wedges sizes: 5, 7, 10, 12 and 15 mm.  
3 wedge types : Softwood, Hardwood & MDF. Use only CASSESE® Genuine cartridge wedges.  
Machine gross weight : 23 kg (51 lbs) - Dimensions : Width 360mm (14") x Depth (w/ out extension table) 610mm (23" 3/4) x Height 1200 mm (47").

## OPTIONS (page 24)

- Z1791 Green round clamp - Z1783 Yellow round clamp - Z25510 Stainless steel table extension - Z25147 Stainless steel shelf for wedges and accessories - Z25450 Extension arms -

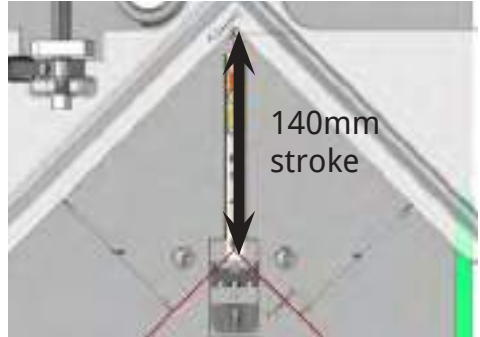
## GUARANTEE

One year guarantee for parts and labour against manufacturing defects. Wear parts and those damaged as a result of non compliance with the instructions of the present manual are excluded from the guarantee. Loading spring and wedge driver blade are considered as wear parts.

# ADJUSTMENTS

## SELECTION OF WEDGE POSITIONS

The CS1 CART is designed to join mouldings in one, two or more positions without limitation of the number of wedges in any of those places. The selection depends on the width and height of the moulding to join.



As a general rule, a MINIMUM 2 mm clearance (less than 1/8") above the wedges shall be respected.

Same size wedges can be stacked in order to avoid changing the size of wedge when joining tall mouldings.

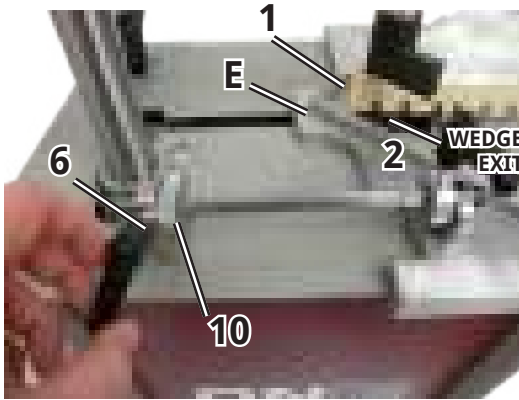
AS A GENERAL RULE, THE WEDGE POSITIONS MUST BE SELECTED VERTICALLY TO THE HIGHEST POINTS OF THE MOULDINGS.

## SETTING AND STORING THE WEDGE POSITIONS

Unlock the wedge position stop handles **5** and **6**.

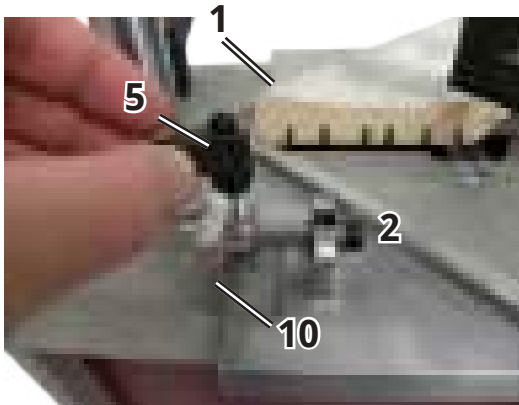


Put the first moulding in front of the back fence 1 and slide the moulding in contact with the 2nd back fence 2.



**Setting up the stapling position close to the outside of the frame :**

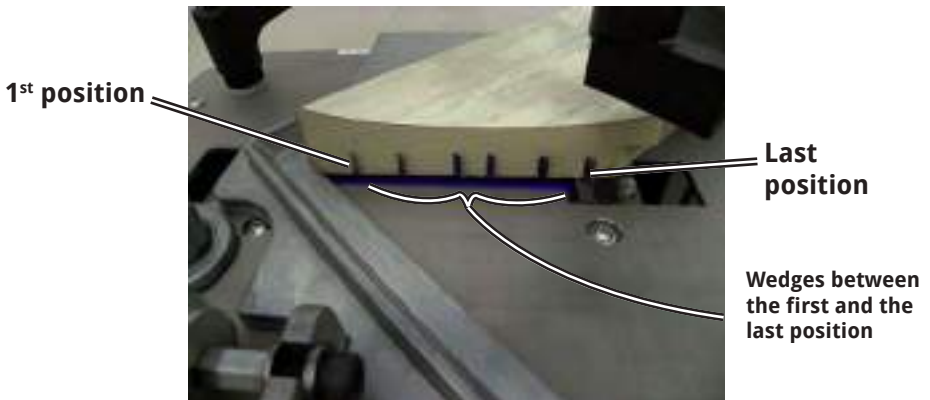
Move forward the sliding table **E** until the place where you want to insert the wedge(s) has been reached by the **WEDGE EXIT** (see picture). Then bring the wedge position stop handle **6** against the stapling stop **10** and tighten it.



**Setting up the stapling position close to the inside of the frame :**

Move backwards the sliding table **E** until you have reached the furthest position to the inside of the frame where you want to insert wedge(s). Then bring the wedge position stop handle **5** against the stapling stop **10** and tighten it.

**Now the two positions of joining are set and the sliding table can move only within the limits of these two positions.**



## PROPER ADJUSTMENT OF MAGNETIC ADJUSTABLE ROD CLAMP ASSEMBLY



A magnetic adjustable rod clamp comes with your machine as a standard feature. It fits the crossbar thanks to the locking ring pin and can be set at 1 to 7 positions.

You must have 30mm (1 1/4") max between the clamp and the mouldings.



Always have the notch (mark) turned to the front of the machine.

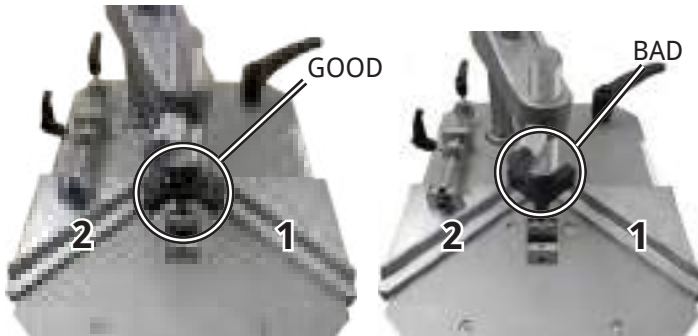
It helps to avoid any mistakes in the joining of the frame.

Accessories supplied with the machine	Magnetic Chevron Clamp	HARDWOOD & SOFTWOOD	ONE SIZE
---------------------------------------	------------------------	---------------------	----------

Options	Green Round Clamp	HARDWOOD	30 & 45mm
	Yellow Round Clamp	SOFTWOOD	30 & 45mm

**ACCESSORIES SUPPLIED WITH THE MACHINE:** Magnetic chevron clamp is ideal for flat mouldings or for hard to reach surfaces.

**OPTIONS:** The round clamps are dedicated to complicated forms and sloped mouldings.

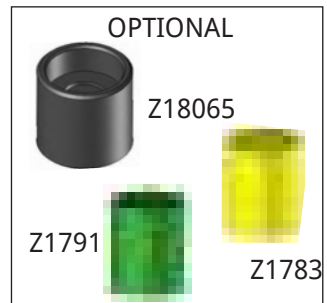


Pay attention to properly position the magnetic chevron clamp : the sides of the chevron must be parallel to back fences 1 and 2.



### **NEW MAGNETIC ADJUSTABLE CLAMPS**

Now with quick-change magnetic clamps, it is easy to change from chevron to a round clamp.





# USE

## MEANS OF JOINING



Joining is performed by using metal wedges, a Casseese invention, specially designed to ensure perfect corners.

Six standard sizes are available : 3, 5, 7, 10, 12 and 15mm.

They come in eco-friendly cartridges, thanks to a recyclable plastic, that are color-coded per size for easy identification. Cartridge wedges exist in 3 versions: NORMAL for SOFTWOOD (identifiable by their white plastic pusher), HW for HARDWOOD (identifiable by their yellow plastic pusher) and MDF (identifiable by their red plastic pusher or red sticker on individual boxes).

Your CS1 CART underpinner is designed for using all sizes of CASSESE® Genuine Cartridge Wedges without having to change any parts on the machine or having to adjust anything.

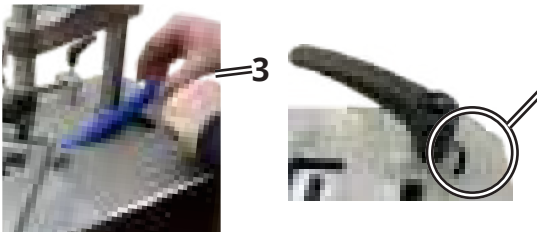
For the best corner join, reliability and performance, use only CASSESE® Genuine Cartridge Wedges.

Boxes of 6  
cartridges (app.  
275 wedges)  
=  
**1.650 wedges/  
box**

REFERENCE	TYPE		REFERENCE	TYPE
30303NCOI	3mm	WHITE	30403NCOI	3mm
30305NCOI	5mm	ORANGE	30405NCOI	5mm
31305BDCO	5mm HW		31405BDCO	5mm HW
30307NCOI	7mm	PINK	30407NCOI	7mm
31307BDCO	7mm HW		31407BDCO	7mm HW
30310NCOI	10mm	LIGHT BLUE	30410NCOI	10mm
31310BDCO	10mm HW		31410BDCO	10mm HW
30312NCOI	12mm	DARK BLUE	30412NCOI	12mm
31312BDCO	12mm HW		31412BDCO	12mm HW
30315NCOI	15mm	WHITE	30415NCOI	15mm
31315BDCO	15mm HW		31415BDCO	15mm HW

Boxes of 40  
cartridges (app.  
275 wedges)  
=  
**11.000 wedges/  
box**

### LOADING CARTRIDGE WEDGES

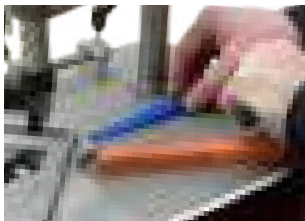


Turn handle for loading wedges **3** in direction of arrow in order to bring back cartridge wedges pusher.

While holding handle in this position, insert cartridge into cartridge channel.

Then gently release the handle for loading wedges **3**.

### CHANGING THE SIZE OF WEDGES



Repeat the procedure of loading cartridge wedges but remove the cartridge.

Then insert the new size of cartridge wedges.

Then release the handle for wedges' loading **3**.

## JOINING THE FRAME

After selecting and setting the wedge positions (page 4 & 5), check the distance between the clamp and the moulding (page 6). Load the required type (softwood, hardwood or MDF) and size of wedges (page 4).

**1<sup>st</sup> step :** Put the first moulding in front of the back fence **1** and push it so that its mitre end reaches the other back fence **2**.

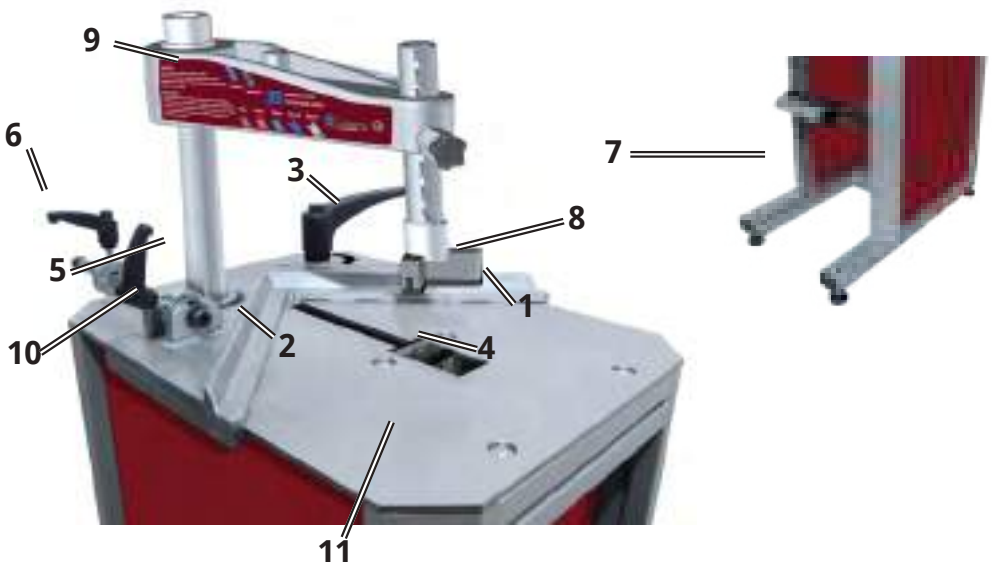
**2<sup>nd</sup> step :** Holding it so, put the second moulding against back fence **2** and slide it until it reaches the first moulding.

**3<sup>rd</sup> step :** Holding the mouldings in place against each other, hold the back fences **1** & **2** with your thumbs. Move the sliding table **E** backwards until the wedge position stop handle **5** reaches the stapling stop **10**.

**4<sup>th</sup> step :** Keeping the mouldings secure, slowly push down the pedal **7**. When the the magnetic adjustable rod clamp assembly **8** will press down on the mouldings, speed up the movement so that the wedge is inserted more easily.

**5<sup>th</sup> step :** If there is a second wedge position (with wedge position stop handle **6**), just repeat the same operation by moving forward the mouldings and the sliding table **E** until wedge position stop handle **6** reaches the stapling stop **10** and repeat step 4.

**NOTE\* :** If stapling more than one wedge in any position is desired then repeat **4<sup>th</sup> step**.



# MAINTENANCE

**CAUTION!** To ensure your safety, it is **imperative** to disconnect the air supply coupler **before any intervention on the mechanical and pneumatic components of the machine.**

**CAUTION: WHEN USING COMPRESSED AIR, WEAR SAFETY GLASSES.**

## A) DISMANTLING THE WEDGE DISTRIBUTOR BLOCK

Periodically, remove the wedge distributor block and clean it with an air gun.

It is recommended to lubricate the wedge driver blade (**use the Cassese's grease Z1896**).

To do so, you will have to remove the wedge distributor block with the 2,5mm Allen Key and perform this procedure. **First, remove the cartridge of wedges from the underpinner.**

1.



WEDGE DISTRIBUTOR BLOCK

3.



Pull up the crossbar in order to move the wedge distributor block out of its place.

5.



Remove the wedge distributor block from the machine.

7.



Pull up the crossbar in order to insert the wedge distributor block on the wedge driver blade with the window in direction of the cartridge of wedges.

2.



Unlock half a turn the locking screw of the wedge distribution block with the 2.5mm Allen key that is supplied with the machine.

4.



Pull up the wedge distributor block.

6.



Apply a small amount of grease at the bottom of the wedge distributor block.

8.



Tighten the locking screw of the wedge distributor block, paying attention to level it with the working table.

## B) CLEANING AND LUBRICATION OF THE WEDGE DISTRIBUTOR BLOCK

To clean up the wedge distributor block in order to avoid any stapling problem, follow steps 1 to 5 of instructions of **A)** (ref. page 9), then proceed with step 1 :

1.



Unlock the four corner screws of the wedge distributor block with the 2.5mm Allen key supplied with the machine. Separate the two pieces.

2.



Unlock the two remaining screws to remove the center post of the wedge distributor block. **Caution! : These are the smallest screws of the block.**

3.



After having cleaned up the wedge distributor block, assemble these both pieces first. Pay attention to level them on the top before tightening the screws. The window must be facing to the both screws' holes.

4.



Insert the last piece as shown in the picture.

5.



Before tightening the screws, check the level of the pieces on the top of the wedge distributor block in order to have a perfect reassembly as shown in the picture.

6.



Apply a small amount of grease at the bottom of the wedge distributor block.

7.



Pull up the crossbar in order to insert the wedge distributor block on the wedge driver blade with the window facing the cartridge channel.

8.



Tighten the locking screw of the wedge distributor block, paying attention to level it with the working table.

## C) REMOVAL OF THE WEDGE DRIVER BLADE

It is possible that you have to change the wedge driver blade.

Please follow the previous procedures A steps 1 to 5 and follow this procedure with the wedge distributor block outside of the machine.

**Remove the cartridge of wedges and the magnetic adjustable rod clamp assembly.**

1.



First, you have to take this piece with all the elements on the picture.

2.



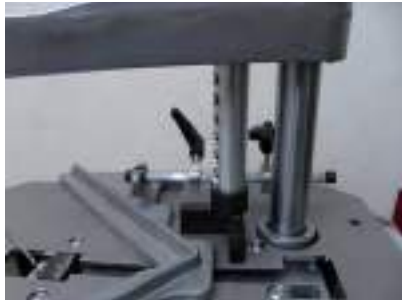
Put the piece next to the axis of the crossbar in this position.

3.



Rotate the piece as on the picture.

4.



Now, the piece is in its place in order to help to slide the wedge driver blade up.

### **TO SLIDE THE WEDGE DRIVER BLADE UP WITH THE PEDAL**



**1<sup>st</sup> step**

Push the pedal and maintain it.



**2<sup>nd</sup> step**

Now, the wedge driver blade is pulled up so you can remove it from its place.



### 3<sup>rd</sup> step

Take pliers to remove the wedge driver blade and twist it to unlock it.

**DO NOT PULL IT STRAIGHT UP !**

## D) INSTALLATION OF A NEW WEDGE DRIVER BLADE

1.



Apply some grease at the bottom of the wedge distributor block and insert a new wedge driver blade into the block with its hole (in the circle) downwards.

2.



Replace the wedge distributor block in its housing with the window towards the cartridge channel and install the wedge distributor block. Then, lock it using the 2,5mm Allen key.

3.



Tighten the screw of the wedge distributor block paying attention to level it with the working table.

4.



The upper end of the wedge driver blade stays out of the block. Reinstall the magnetic adjustable rod clamp assembly in order to proceed with the following step.

5.



Push the wedge driver blade fully in with a piece of wood or moulding ; press the pedal to engage the wedge driver blade entirely. Check the wedge driver blade installation, it should slide smooth with no resistance.

## E) UNJAMMING OF THE WEDGE DISTRIBUTOR BLOCK

If the wedge driver blade or a wedge is jamming your wedge distributor block, please follow this procedure :

-Remove the cartridge located inside the underpinner, and the magnetic adjustable rod clamp assembly.

-If the cartridge doesn't come out, loosen the screw of the wedge distributor block with a 2.5mm Allen key, unlock the handle for loading wedges **3** and remove the sliding table **E**.

-Pull up the wedge distributor block. If the cartridge was jammed inside, ask for the help of someone to turn the handle for loading wedges **3**. Then pull up the wedge distribution block and the cartridge.

-If the wedge distributor block doesn't come out, perform a quick hard compression on the crossbar as in the picture.



-Try to pull up the wedge distribution block. If it still doesn't come out, then call your distributor for further instructions.

### **If you have succeeded in removing the wedge distributor block :**

-If the old wedge driver blade is stuck in the wedge distributor block :

**PERFORM THE PROCEDURE B STEP 1 TO STEP 5,  
THEN PROCEED TO PROCEDURE E COMPLETELY.**

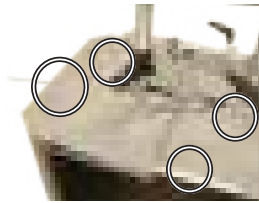
-If the old wedge driver blade is damaged and remains in the machine :

**PERFORM THE PROCEDURE B STEP 1 TO STEP 5,  
THEN PROCEED TO PROCEDURE C + D COMPLETELY.**



## F) REMOVING THE SIDE PANEL

To access more easily to the mechanical parts, you have to remove the side panel where is located the sticker "Cassese France". The following procedure is to be followed for removing or replacing the side panel of the machine :



Unscrew the 4 screws of the working table with the Allen Key 3mm.



Next, shift to one side the working table.



Take the side panel and remove it by pulling up.



Now, you can access to the mechanical parts of the machine.



Inside view of the CS1 CART.

## G) REMOVING THE WORKING TABLE WITH THE PEDAL



After the previous step, rotate the pedal in its axis and put it in vertical position.



You can remove the pedal of its axis by pulling up.



Take the working table and the pedal together to exit the mechanical parts from the frame.



## H) REPLACEMENT OF THE WEDGE DISTRIBUTION CHANNEL ELASTIC CORD

First, you must withdraw the side panel as explained previously. To replace more easily the wedge distribution channel elastic cord, you have to follow these different steps which will be detailed :



First, you must take 2 tools :  
-Socket spanner 7mm  
-Allen key 4mm

1.



Unscrew the nut (with the socket spanner 7mm) which maintain the elastic cord and the connection wire.

2.



Push away the connection wire in order to free the working space.

3.



Remove the elastic cord of the screw.

4.



Now, the elastic cord is just grasped by the last screw.

5.



Unscrew the last screw with the Allen key of 4mm.

6.



In order to refit the system, do the following steps in the reverse direction.





Inventeur et N°1 Mondial des Machines et  
Consommables pour l'Encadrement d'Art Depuis 1976

# CS1 CART

*ASSEMBLEUSE MECANIQUE A PEDALE*



MADE IN  
  
FRANCE

## MANUEL TECHNIQUE & D'UTILISATION



AVANT UTILISATION DE LA MACHINE, LIRE  
IMPERATIVEMENT CE MANUEL D'INSTRUCTIONS

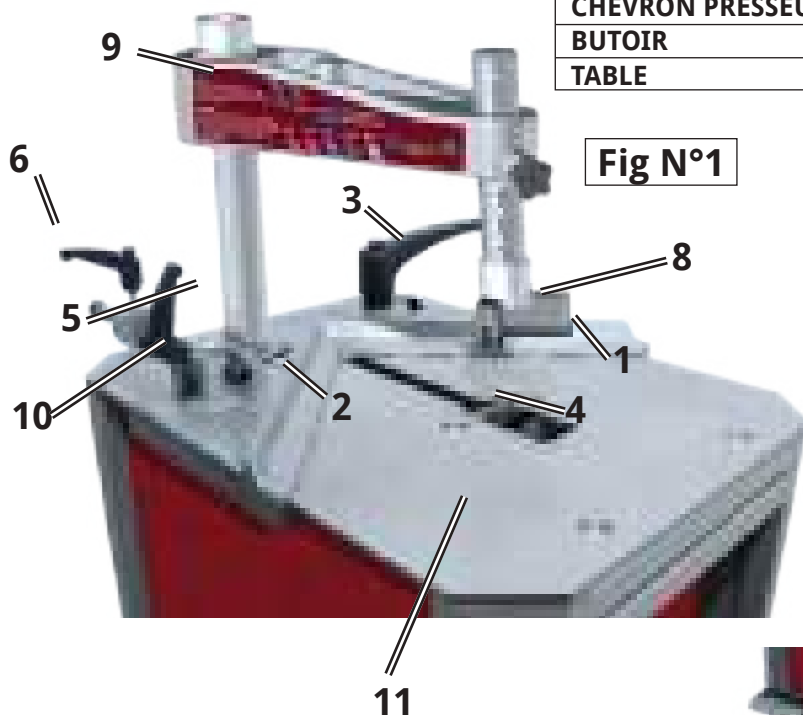


Version 2 11/ 2014  
Cassese® / Communication  
Z26059

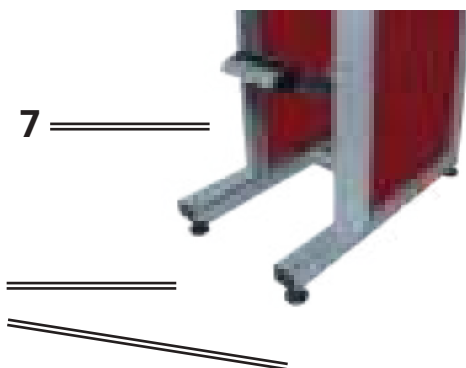
**CS1 CART  
ASSEMBLEUSE  
MECANIQUE A  
PEDALE**

1ère BUTEE	1
2ème BUTEE	2
LEVIER DU POUSSOIR D'AGRAFES	3
DISTRIBUTEUR AGRAFES	4
BUTEE POUR POSITION D'AGRAFAGE (intérieur du cadre)	5
BUTEE POUR POSITION D'AGRAFAGE (extérieur du cadre)	6
PEDALE	7
POTENCE DU PRESSEUR	8
CHEVRON PRESSEUR	9
BUTOIR	10
TABLE	11

REFERENCE POSITION TRAVAIL



**Fig N°2**



**APRES AVOIR DEBALLE  
LA MACHINE, REGLER  
LES 4 PIEDS PAR  
RAPPORT AU SOL**

# CS1 CART - MANUEL TECHNIQUE & D'UTILISATION

<b>SOMMAIRE</b>	<b>Page</b>
<b>INTRODUCTION</b>	2
ACCESSOIRES FOURNIS AVEC LA MACHINE	
SPECIFICATIONS TECHNIQUES	
OPTIONS	
GARANTIE	
<b>REGLAGES</b>	
SELECTION DES POSITIONS D'AGRAFAGE	3
MEMORISATION DES POSITIONS D'AGRAFAGE	3, 4
SELECTION DU PRESSEUR	5
<b>UTILISATION</b>	
MOYEN D'ASSEMBLAGE	6
CHARGEMENT DES AGRAFES	6
CHANGEMENT DE TAILLE D'AGRAFES	6
REPLACEMENT DES AGRAFES	7
ASSEMBLAGE DU CADRE	7
<b>MAINTENANCE</b>	
A) DEMONTAGE DU DISTRIBUTEUR D'AGRAFES	8
B) NETTOYAGE ET LUBRIFICATION DU DISTRIBUTEUR D'AGRAFES	9
C) RETRAIT DU MARTEAU	10, 11
D) INSTALLATION DU NOUVEAU MARTEAU	11
E) DESENRAYEMENT DU DISTRIBUTEUR D'AGRAFES	12
F) RETIRER LE PANNEAU LATERAL	13
G) RETIRER LA TABLE DE TRAVAIL AVEC LA PEDALE	13
H) REMPLACEMENT DU TENDEUR DU DISTRIBUTEUR D'AGRAFES	14

# CS1 CART - MANUEL TECHNIQUE & D'UTILISATION

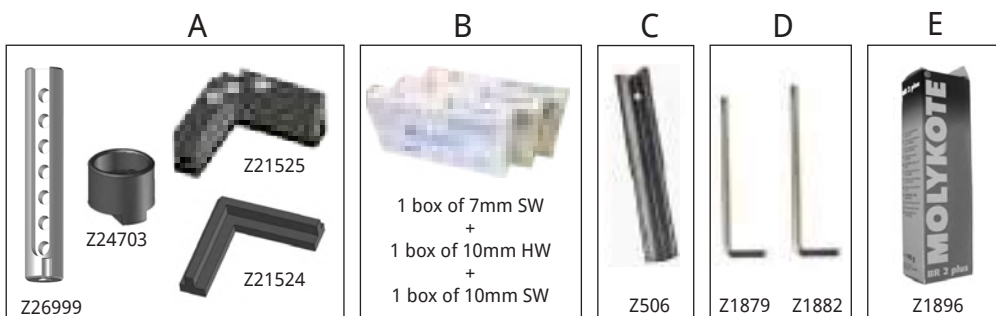
## INTRODUCTION

Vous venez d'acquérir une CS1 CART. Nous vous félicitons pour votre bon choix et vous remercions pour votre confiance.

La CS1 CART bénéficie de l'expérience des assembleuses qui ont fait la notoriété de Cassese. Elle permet l'assemblage des moules en bois, plastique et MDF de tous profils (Brevet n° 7522814). L'assemblage est réalisé par des agrafes métalliques (Ref. Chargeur d'agrafes Cassese®) spécialement étudiées pour un serrage parfait.

## ACCESSOIRES FOURNIS AVEC LA MACHINE

- A) 1 Axe de Presseur Réglable + 1 Support Magnétique pour Presseur Chevron + 1 Presseur Chevron + 1 Elastomère chevron.
- B) 1 boîte de 7mm Bois Tendre + 1 boîte de 10mm Bois Dur + 1 boîte de 10mm Bois Tendre.
- C) 1 Marteau d'agrafage de rechange.
- D) 1 clé Allen de 2,5mm + 1 clé Allen de 3mm.
- E) Tube de graisse



## SPECIFICATIONS TECHNIQUES CS1 CART

Largeur minimum profil : 5mm / Hauteur Minimum profil : 5 mm

Largeur maximum profil : ∞ mm / Hauteur maximum profil : 85 mm

Course d'agrafage maximum entre la 1<sup>ère</sup> et la dernière agrafe (à 45°) : 140 mm

Tailles de chargeurs d'agrafes Cassese® : 5, 7, 10, 12 et 15 mm.

3 types d'agrafes : Bois Normal, Bois Dur ou MDF. N'utiliser que les chargeurs d'agrafes Cassese®.

Poids : 23 kg - Dimensions : 360mm x 610mm (sans table extension) x 1200 mm (hauteur)

## OPTIONS (cf. p.24)

Z1783 Elastomère jaune - Z1791 Elastomère vert - Z25510 Rallonge de table - Z25450 Maintien Cadres - Z25147 Support pour chargeurs d'agrafes / accessoires.

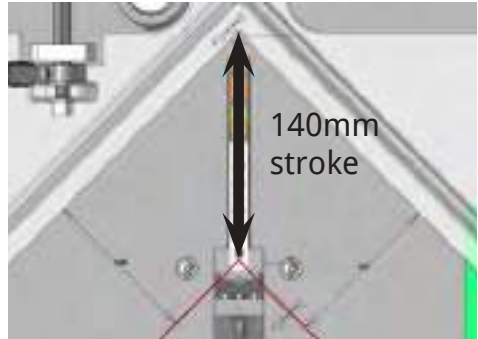
## GARANTIE

La CS1 CART est garantie un an, pièces et main d'oeuvre contre tous vices de fabrication. Les pièces d'usure et celles endommagées par une utilisation non conforme aux dispositions de la présente notice sont exclues de cette garantie .

# REGLAGES

## SELECTION DE LA POSITION D'AGRAFAGE

La CS1 CART est prévue pour procéder à l'agrafage des moules à 1, 2 ou plusieurs endroits sans limitation du nombre d'agrafes à chacun de ces emplacements. Le choix sera fait en fonction de la largeur de la moule à assembler et de son épaisseur. Il est possible, toutefois, d'insérer des agrafes entre ces deux positions .



On prévoit en règle générale une garde, de hauteur 2 mm MINIMUM, au dessus de l'agrafe. Des agrafes de même dimensions peuvent se superposer, ceci pour éviter de changer le chargeur d'agrafes si l'on réalise des assemblages de cadres d'épaisseur diverses.

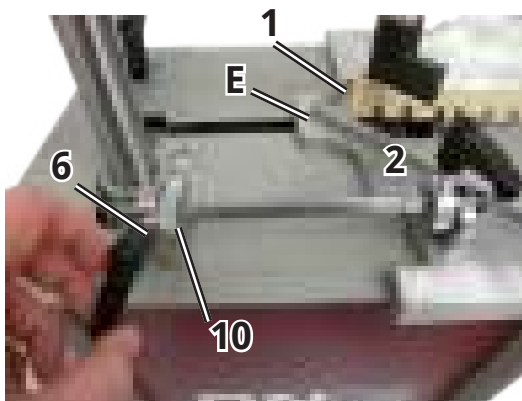
NB : DANS TOUS LES CAS, L'AGRAFAGE DOIT S'EFFECTUER LE PLUS PRES POSSIBLE DE LA (OU DES) PARTIE (S) LA PLUS HAUTE DE LA MOULURE.

## MÉMORISATION DES POSITIONS D'AGRAFAGES

Débloquer les butées de position d'agrafage **5** et **6**.

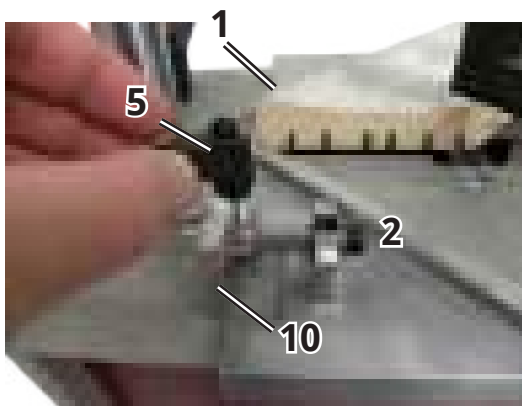


Positionner la 1ère moulure contre la butée 1 et la faire glisser jusqu'à la butée 2.



**Première position d'agrafage :**  
**Côté extérieur du cadre :**

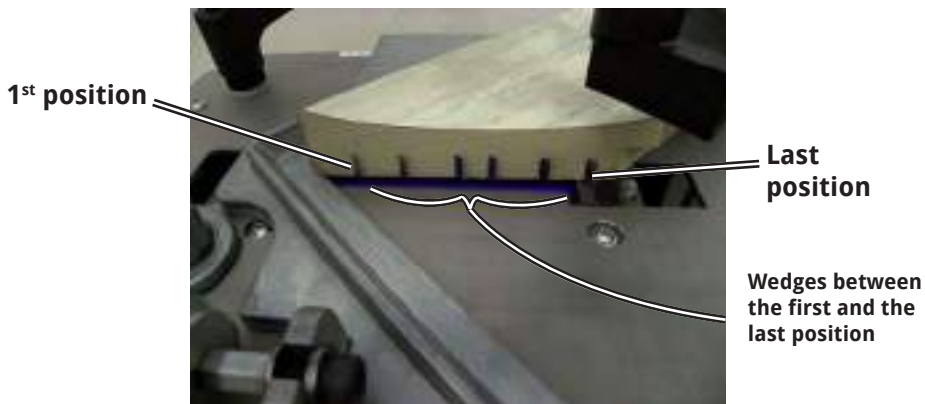
Déplacer l'équerre coulissante E vers l'avant jusqu'à la position d'agrafage choisie.  
Amener la butée 6 contre le butoir 10 et la bloquer.



**Deuxième position d'agrafage :**  
**Côté intérieur du cadre :**

Déplacer l'équerre coulissante vers l'arrière, jusqu'à la position choisie.  
Amener la butée 5 en butée contre le butoir 10 et la bloquer.

Maintenant, les deux positions d'agrafages sont mémorisées et l'équerre coulissante se déplace uniquement dans la limite de ces deux positions.





## SELECTION DU PRESSEUR



Un presseur est fourni en standard avec son support magnétique.

L'axe du presseur se règle en hauteur de 1 à 7 positions grâce à la broche à bille.

Vous devez avoir 30mm maximum entre le presseur et les moulures.



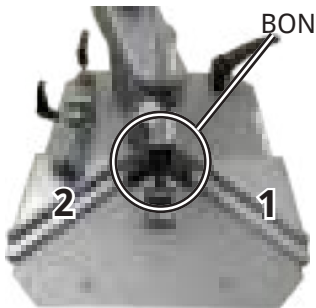
Toujours avoir le détrompeur tourné vers le devant de la machine.

Il permet d'éviter toute erreur dans l'assemblage du cadre.

Accessoires fournis avec la machine	PRESSEUR CHEVRON	BOIS DUR & BOIS TENDRE	TAILLE UNIQUE
Options	ELASTOMERE VERT	BOIS DUR	30 & 45mm
	ELASTOMERE JAUNE	BOIS TENDRE	30 & 45mm

ACCESSOIRES FOURNIS AVEC LA MACHINE: Le presseur chevron noir est idéal pour l'assemblage de profils plats.

OPTIONS : Les presseurs élastomères sont dédiés aux profils à fortes variations géométriques. (montée, descente...)



JVAIS

Faire attention à bien positionner le presseur chevron : les côtés du chevron doivent être parallèles aux butées 1 et 2.



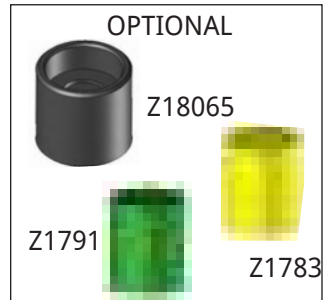
Z24703



Z21525

### NOUVEAUX PRESSEURS MAGNETIQUES

Vous pouvez, grâce à leur fonction magnétique, changer rapidement de presseur en fonction des profils à assembler.



OPTIONAL

Z18065

Z1791

Z1783

# UTILISATION

## LE MOYEN D'ASSEMBLAGE



L'assemblage est réalisé par des agrafes métalliques, spécialement étudiées pour un serrage parfait.

Six tailles standards disponibles : 3, 5, 7, 10, 12 et 15mm.

Elles viennent dans des chargeurs écologiques, grâce à un plastique recyclable, qui sont colorisés par taille pour une identification facile. Ils existent en deux versions : NORMAL pour le BOIS NORMAL avec un poussoir blanc et HW pour le BOIS DUR avec un poussoir jaune.

Votre machine CS1 CART est conçue pour l'utilisation de toutes tailles de chargeurs Cassese® authentique sans avoir à changer toutes les pièces de la machine ou avoir à régler quoi que ce soit.

Pour plus de fiabilité et de productivité au fil du temps, utilisez uniquement les chargeurs Cassese® authentique avec votre CS1 CART.

Boîtes de 6  
chargeurs (env.  
275 agrafes)  
=  
**1.650 agrafes/  
boite**

REFERENCE	TYPE
30303NCOI	3mm
30305NCOI	5mm
31305BDCO	5mm HW
30307NCOI	7mm
31307BDCO	7mm HW
30310NCOI	10mm
31310BDCO	10mm HW
30312NCOI	12mm
31312BDCO	12mm HW
30315NCOI	15mm
31315BDCO	15mm HW

BLANC

ORANGE

MAGENTA

CYAN

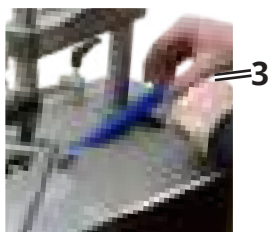
BLEU

BLANC

REFERENCE	TYPE
30403NCOI	3mm
30405NCOI	5mm
31405BDCO	5mm HW
30407NCOI	7mm
31407BDCO	7mm HW
30410NCOI	10mm
31410BDCO	10mm HW
30412NCOI	12mm
31412BDCO	12mm HW
30415NCOI	15mm
31415BDCO	15mm HW

Boîtes 40  
chargeurs (env.  
275 agrafes)  
=  
**11.000 agrafes/  
boite**

## CHARGEMENT D'UN CHARGEUR D'AGRAFES

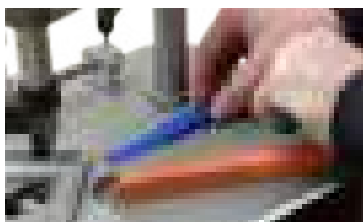


Actionner le levier **3** afin d'amener le poussoir d'agrafes en arrière. Suivre le sens indiqué par la flèche.

Placer le chargeur d'agrafes.

Relâcher le levier **3**.

## CHANGEMENT DE TAILLE D'AGRAFES



Même procédure que pour le chargement d'un chargeur d'agrafes mais retirer le chargeur à remplacer pendant que vous maintenez le levier **3**.

Puis, insérer le chargeur désiré toujours en maintenant le levier **3**.

Enfin, relâcher le levier **3**.

## ASSEMBLAGE DU CADRE

Les points d'agrafage sont mémorisés (voir Mémorisation des points d'agrafage page 3,4 ). La course entre le haut de la moulure et le bas du presseur ne doit pas dépasser pas 30 mm . (Voir Choix du presseur page 5).

La bonne taille d'agrafe adaptée au type de matériaux sur la table(bois normal, bois dur, plastique ou MDF) a été chargée dans la CS1 CART.

**1<sup>ère</sup> étape :** Mettre la 1<sup>ère</sup> moulure sur la table, le dos contre **1**, la pousser pour atteindre **2** puis la maintenir.

**2<sup>ème</sup> étape :** Mettre la 2<sup>nde</sup> moulure sur la table le dos contre **2** et la pousser en appui jusqu'à la 1<sup>ère</sup> moulure.

**3<sup>ème</sup> étape :** Maintenir **1** et **2** avec les moulures en position d'agrafages 1 (voir photos) contre le butoir **10**.

**4<sup>ème</sup> étape :** Toujours en maintenant les moulures, enfoncez lentement la pédale. Au moment où le presseur vertical entre en contact avec la moulure, accélérez le mouvement de manière à faciliter l'insertion de l'agrafe.

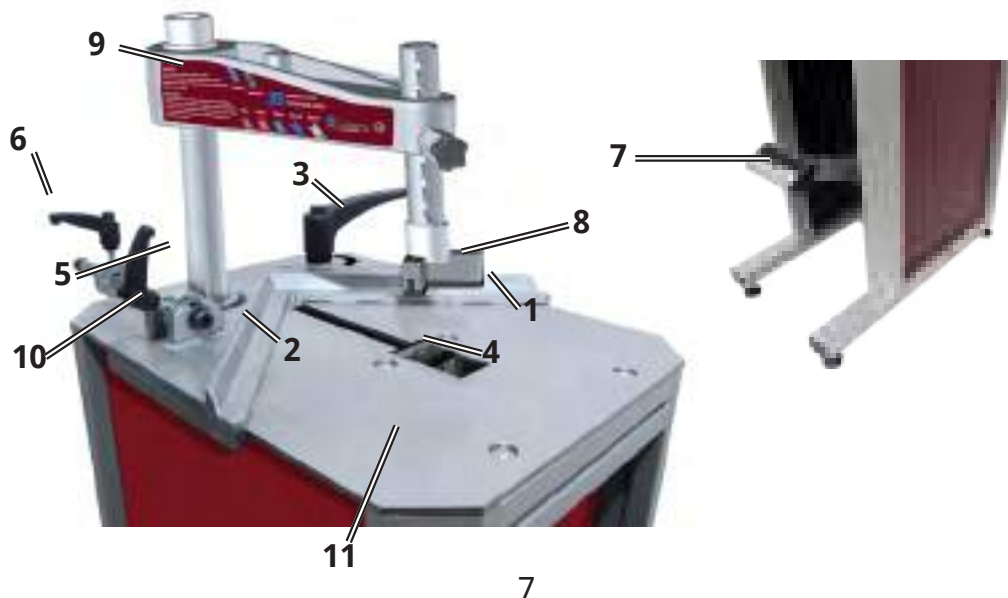
Pour superposer les agrafes\*,

-Relâcher la pédale jusqu'à ce que le presseur commence à se soulever.

-Enfoncez la de nouveau.

\*En cas d'empilage, il est recommandé de bloquer la table coulissante.

**5<sup>ème</sup> étape :** Il suffit de déplacer l'ensemble moulures + **1** & **2** en position d'agrafage 2. Puis, refaire la 4<sup>ème</sup> étape pour réaliser l'agrafage de la seconde position.



# MAINTENANCE

ATTENTION : LORS DE L'UTILISATION DE L'AIR COMPRIME,  
LE PORT DE LUNETTES DE PROTECTION EST OBLIGATOIRE.

## A) DEMONTAGE DU DISTRIBUTEUR D'AGRAFES

Périodiquement, retirer la tête d'agrafage et la nettoyer à l'air comprimé. Il est recommandé de graisser le marteau périodiquement (**utiliser la graisse Cassese Z1896**).

Pour se faire, démonter la tête d'agrafage avec la clé Allen de 2,5mm fournie et suivre les instructions.

**Retirer le chargeur d'agrafes de la machine avant toute manipulation.**

1.



DISTRIBUTEUR D'AGRAFES

2.



Desserrer d'un demi tour la vis du distributeur d'agrafage avec la clé Allen de 2,5mm fournie avec la machine.

3.



Tirer vers le haut la potence afin de sortir le distributeur d'agrafage de son logement.

4.



Faire coulisser vers le haut le distributeur d'agrafage.

5.



Retirer le distributeur d'agrafage de la machine.

6.



Appliquer une noisette de graisse en bas du distributeur d'agrafes.

7.



Tirer vers le haut la potence afin d'insérer le distributeur d'agrafes sur le marteau avec la fenêtré en direction du chargeur d'agrafes.

8.



Serrer la vis du distributeur d'agrafes tout en faisant attention au nivellement du bloc par rapport à la table de travail.

## B) NETTOYAGE ET LUBRIFICATION DU DISTRIBUTEUR D'AGRAFES

Après avoir fait la procédure précédente, vous devez nettoyer le distributeur d'agrafes afin d'éviter tout problème d'agrafage. Pour se faire, suivre cette procédure :

1.



Desserrer les 4 vis du distributeur d'agrafes avec la Clé Allen 2,5mm fournie avec la machine.

2.



Desserrer 2 vis pour retirer la dernière pièce du distributeur d'agrafes. **Attention pour le remontage : ce sont les vis les plus petites du bloc.**

3.



Après avoir nettoyé le distributeur d'agrafes, assembler en premier ces 2 pièces. Attention à ce qu'elles soient au même niveau en haut du bloc avant de serrer les vis. La fenêtre doit être en face des 2 trous de vis comme sur la photo.

4.



Insérer la dernière pièce comme présenté sur la photo.

5.



Avant de serrer les vis, vérifier le nivellement des pièces en haut du bloc afin d'avoir un remontage parfait comme sur la photo.

6.



Appliquer une noisette de graisse en bas du distributeur d'agrafes.

7.



Tirer vers le haut la potence afin d'insérer le distributeur d'agrafes sur le marteau avec la fenêtre en direction du chargeur d'agrafes.

8.



Serrer la vis du distributeur d'agrafes tout en faisant attention au nivellement du bloc par rapport à la table de travail.

## C) RETRAIT DU MARTEAU

Il est possible que vous ayez à changer le marteau. Veuillez suivre les procédures A et B précédentes et suivre cette procédure avec le distributeur d'agrafes hors de la machine afin d'éviter tout problème d'agrafage. **Retirer le chargeur d'agrafes de la machine avant toute manipulation.**

1.



Tout d'abord, vous devez prendre cette pièce avec tous les éléments visibles sur l'image.

2.



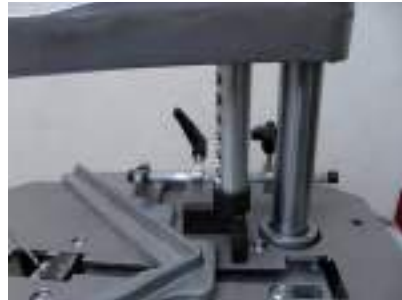
Mettre la pièce à côté de l'axe de la potence dans cette position.

3.



Pivoter la pièce comme indiqué sur la photo.

4.



Maintenant, la pièce est à sa place afin de permettre le coulissement du marteau vers le haut.

### FAIRE COULISSER LE MARTEAU VERS LE HAUT AVEC LA PEDALE



#### Etape 1

Après avoir retiré le chargeur d'agrafes, appuyer sur la pédale et maintenir l'appui.



#### Etape 2

Maintenant, le marteau est coulissé vers le haut afin que vous puissiez l'enlever de son emplacement.



### Etape 3

Prenez une pince pour retirer le marteau et tourner le pour le défaire de son logement.  
**NE PAS LE TIRER VERS LE HAUT POUR LE SORTIR !**

## D) INSTALLATION DU NOUVEAU MARTEAU

1.



Appliquer un peu de graisse sous le distributeur d'agrafage et insérer un nouveau marteau dans le distributeur avec le trou du marteau (indiqué dans le cercle) vers le bas.

2.



Replacer le distributeur d'agrafes dans son logement avec la fenêtre vers le chargeur et installer le distributeur d'agrafes puis le bloquer avec la clé Allen de 2,5mm.

3.



Serrer la vis du distributeur d'agrafes tout en faisant attention au nivellement du bloc par rapport à la table de travail.

4.



L'extrémité supérieure du marteau reste en dehors du distributeur d'agrafage. Remettre en place le presseur afin de rendre possible l'étape suivante.

5.



Pousser à fond avec un morceau de bois ou de moulure ; appuyer sur la pédale pour engager le marteau entièrement.  
Vérifiez l'installation du marteau, il doit être capable de glisser sans point dur.



## E) DESENRAYEMENT DU DISTRIBUTEUR D'AGRAFES

Si le marteau ou une agrafe est resté coincé dans le distributeur d'agrafes, vous devez suivre cette procédure :

-Retirer le chargeur d'agrafes qui est dans la machine, et le presseur.

-Si le chargeur d'agrafes ne vient pas, vous devez appuyer fortement sur la potence comme indiqué sur la photo ci-dessous.

-En utilisant la clé Allen 2,5mm, desserrer la vis de blocage du distributeur d'agrafes.

-Puis, soulever la potence avec les mains. Le distributeur d'agrafes va sortir de son logement. Retirer le de la machine.

-Si le distributeur d'agrafes ne vient pas, vous devez appuyer fortement sur la potence comme indiqué sur la photo.



-Si l'ancien marteau est bloqué dans le distributeur d'agrafes :

**REALISER LA PROCEDURE B ETAPE 1 A ETAPE 5,  
PUIS FAIRE LA PROCEDURE D COMPLETEMENT.**

-Si l'ancien marteau est endommagé et est resté dans la machine :

**REALISER LA PROCEDURE B ETAPE 1 A ETAPE 5,  
PUIS FAIRE LA PROCEDURE C + D COMPLETEMENT.**



## F) RETIRER LE PANNEAU LATERAL

Pour accéder plus facilement aux pièces mécaniques, vous devez enlever le panneau latéral où est l'étiquette "Cassese France". La procédure suivante doit être suivie pour retirer ou remplacer le panneau latéral de la machine :



Dévisser les 4 vis de la table de travail avec la clé Allen 3mm.



Ensuite, déplacer sur le côté légèrement la table de travail.



Prenez le panneau latéral et retirez-le de son emplacement en le tirant vers le haut.



Maintenant, vous pouvez accéder aux parties mécaniques de la machine.



Vue intérieure de la machine CS1 CART.

## G) RETIRER LA TABLE DE TRAVAIL AVEC LA PEDALE



Après l'étape précédente, faire pivoter la pédale dans son axe pour la mettre en position verticale.



Maintenant, Vous pouvez retirer la pédale de son axe en la tirant vers le haut.



Prenez la table de travail et la pédale ensemble pour sortir toutes les pièces mécaniques du bati.

## H) REPLACEMENT DU TENDEUR DU DISTRIBUTEUR D'AGRAFES

Pour remplacer plus facilement le tendeur du distributeur d'agrafes, vous devez suivre ces étapes différentes qui seront détaillées:



Tout d'abord, vous devez prendre 2 outils:

- Clé à pipe 7mm
- Clé Allen 4mm



Dévisser l'écrou (avec la clé à pipe) qui maintient ensemble le tendeur et le fil de liaison.



Déplacer le fil de liaison afin de libérer l'espace de travail.



Retirer le tendeur de la vis.



Maintenant, le tendeur est simplement tenu par la dernière vis.



Dévissez la dernière vis avec la clé Allen de 4 mm.



Afin de remettre en place le système, effectuez les étapes précédentes dans le sens inverse.





VOIR ECLATE Z27071  
S/E COLONNE ASSEMBLEE

2 x Z468

1 x Z6376

2 x Z22014

Z22013

3 x Z1612

1 x Z22008

Z453

2 x Z23322

7 x Z25789

Z22187

Z22006

2 x Z330

VOIR ECLATE Z25693

1 x Z1625

VOIR ECLATE Z25111  
S/E PEDALE

Z25962

Z26028

1 x Z1425

4 x Z25686

1 x Z25719

1 x Z302

Z28240

2 x Z6609

2 x Z24947

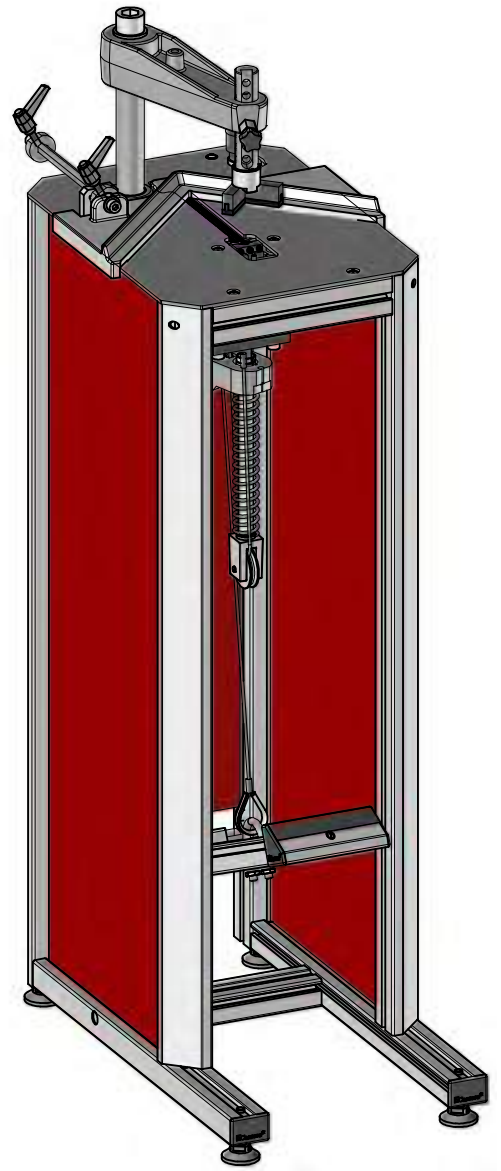
2 x Z681

Z25070  
BATTI

6 x Z1612

4 x Z1343

4 x Z25109

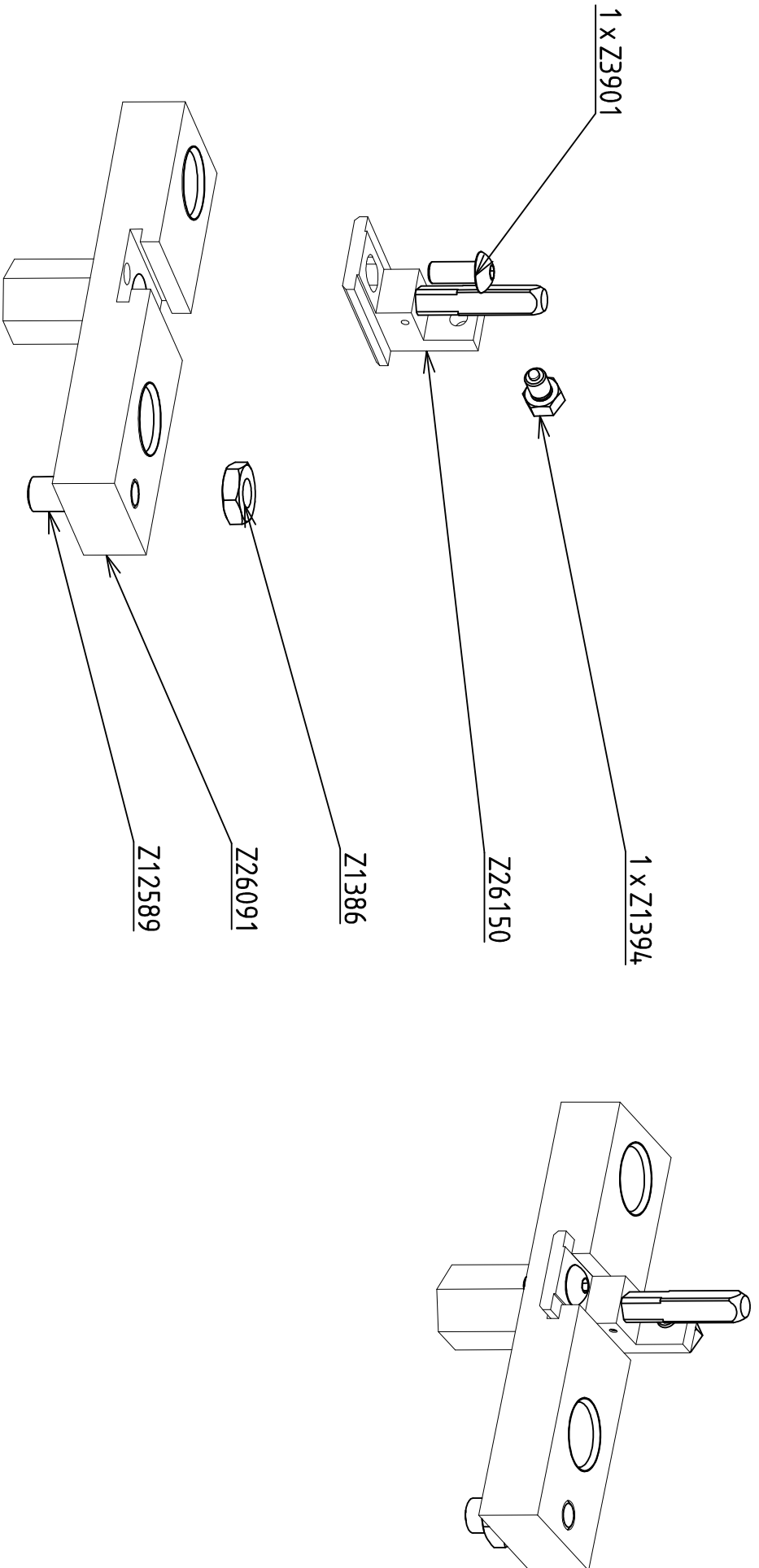


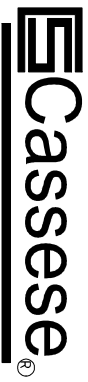
CS1CART

Part	Project	Ra 3.2/	ISO 2768 - M	ISO 2768 - M	ISO 2768 - M
		ASSEMBLEUSE CS1CART STANDARD			
11	11	A0	N° Plan: CS1CART	Ind: 03	
<small>                 Cassese s.p.a. - Via Cassese, 1 - 20090 Sesto San Giovanni (MI) - Italy                  Tel: +39 02 76001111 - Fax: +39 02 76001112 - Email: info@cassese.com                  Cassese s.p.a. è un'azienda a partecipazione paritetica Cassese - Cisl - Uil - Uilmetal - Uilmecc - Uilmeccmetal - Uilmeccmetalmetal             </small>					





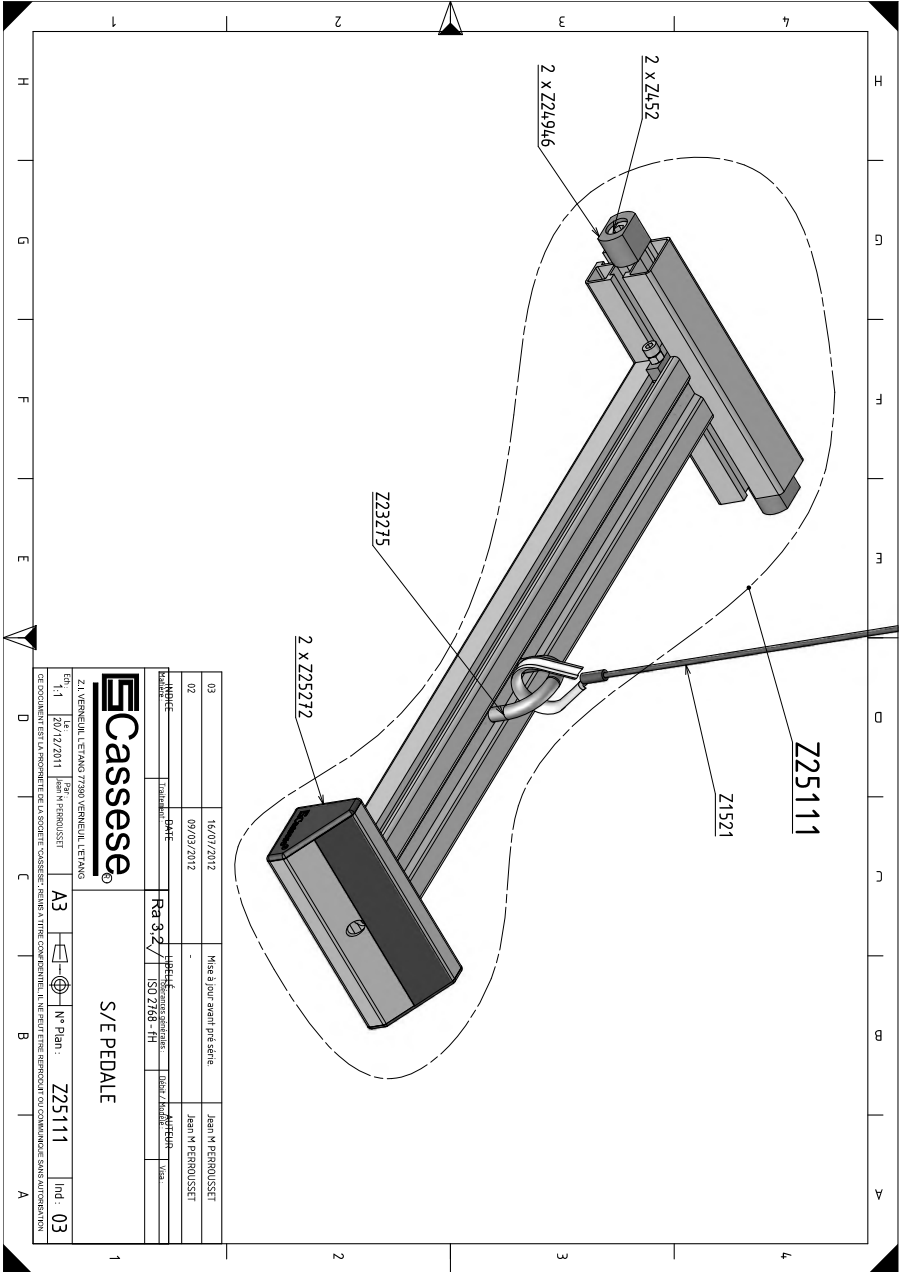


02	22/11/2012	Version 2	Jean M PERROUSSET
INDICE	DATE	LIBELLÉ	AUTEUR
Matériau: Traitement:		Tolérances générales: Ra 3,2 ✓	ISO 2768 - fH
Z.I. VERNEUIL L'ETANG 77390 VERNEUIL L'ETANG		S/ESUPPORT MARTEAU	
			
Ech: 1:1	Le: 22/11/2012	Par: Jean M PERROUSSET	N° Plan: Z25691
Ind: 02		A3	

CE DOCUMENT EST LA PROPRIETE DE LA SOCIETE "CASSESE". REMIS A TITRE CONFIDENTIEL, IL NE PEUT ETRE REPRODUIT OU COMMUNIQUE SANS AUTORISATION







03	14/07/2012	Mise à jour avant première	Jean M PERROUSSET
02	09/03/2012	-	Jean M PERROUSSET
<b>Document</b> : <b>Part</b>		<b>Etat</b> : <b>Final</b>	
<b>Reference</b> : <b>Pa 312</b>		<b>Norme</b> : <b>ISO 2768 - FH</b>	
<b>Produit</b> : <b>S/E PEDALE</b>		<b>Site</b> :	

ZI VERMOREL, LE LANG 77180/VERMOREL, LE LANG

**Cassese**®

S/E PEDALE

Ech. : 1:1	Le 12/12/2011	Page N° PERROUSSET	A3	Imprimé	N° Plan : Z25111	Ind. : 03
------------	---------------	--------------------	----	---------	------------------	-----------

CE DOCUMENT EST LA PROPRIÉTÉ DE LA SOCIÉTÉ CASSESE. CHAQUE AUTRE COMMERCE IL NE PEUT ÊTRE REPRODUIT OU COMMUNIQUÉ SANS AUTORISATION.

# CHANGE OF WORK POSITION CHANGEMENT DE LA POSITION DE TRAVAIL

Take the 3mm Allen key for the table's screws.

Prendre la Clé Allen de 3mm pour les vis de la table.

(This procedure is the same for UNI & CART underpinners).

(Cette procédure est la même pour les assembleuses UNI & CART).

1.



2.



3.



4.



5.



6.



180°



7.



8.

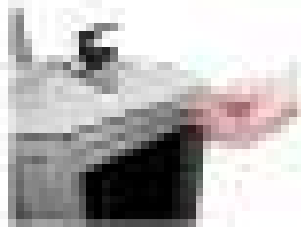
AVANT / BEFORE

APRES / AFTER



## INSTALLATION OF THE TABLE EXTENSION (OPTIONAL) / INSTALLATION DE LA RALLONGE DE TABLE (OPTIONNEL)

(This procedure is the same for UNI & CART underpinners).  
(Cette procédure est la même pour les assembleuses UNI & CART).



1. Insert the nut into the slot of the rail.

1. Insérer l'écrou dans la fente du rail.



2. Insert the second nut.

3. Insérer le deuxième écrou.



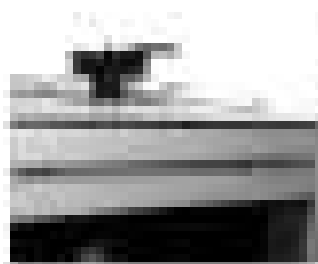
3. Rotate the nuts in the right direction.

3. Faire pivoter les écrous dans le bon sens.



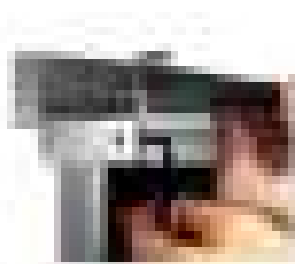
4. Ensure that you have this rendering.

4. Assurez vous d'avoir ce rendu.



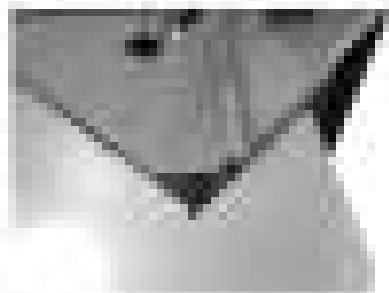
5. Place the nuts on each side of the rail.

5. Placer les écrous de chaque côté du rail.



6. With the help of the Allen key, put each nut in front of the pathway of the screw.

6. A l'aide de la clé, mettre chaque écrou devant le passage de la vis.



7. Be careful to keep the same space between each side of the table to avoid rubbing.

7. Veillez à garder le même espace entre chaque côté de la table pour éviter les frottements.

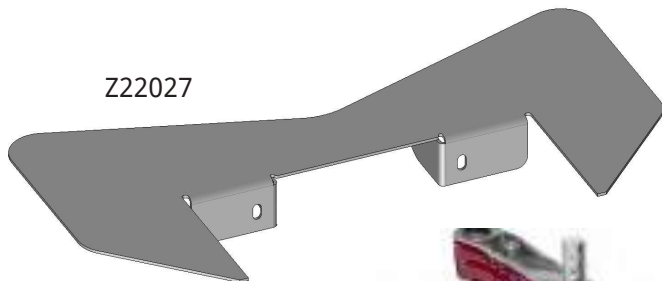


8. Put the table extension at the same level of the working table of your CS1 CART.

8. Mettez la rallonge de table au même niveau de la table de travail de votre CS1 CART.

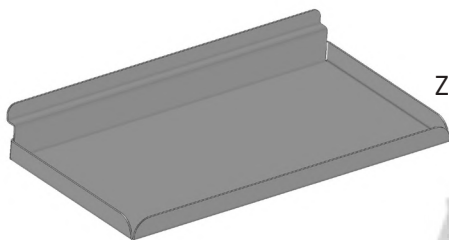
OPTIONAL ACCESSORIES ON THE CS1 CART  
ACCESSOIRES OPTIONNELS SUR LA CS1 CART

Z22027



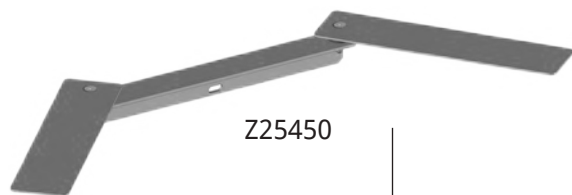
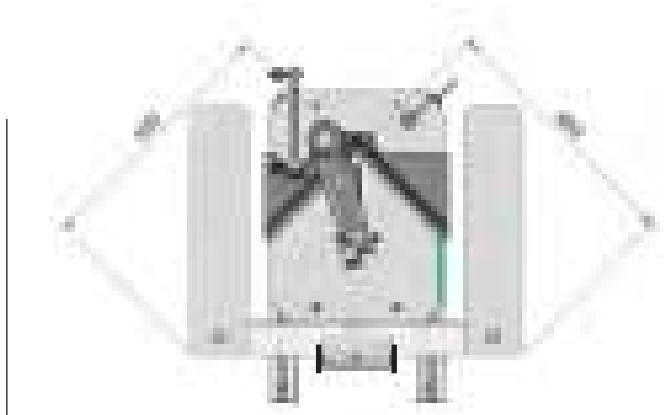
Z22027

Z25147

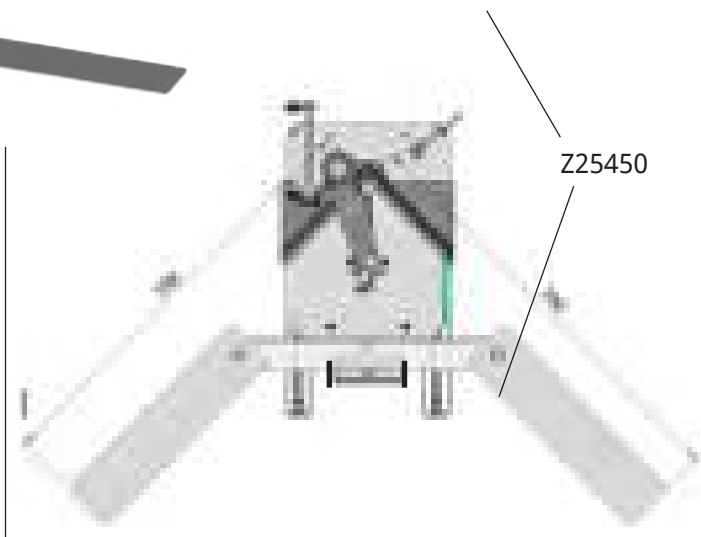


Z25147

OPTIONAL ACCESSORIES ON THE CS1 CART  
ACCESSOIRES OPTIONNELS SUR LA CS1 CART



Z25450



Z25450





Factory and Headquarters

### **ADDRESS**

Zone Industrielle  
77390 VERNEUIL L'ETANG - FRANCE  
Tel: +33 (0)1 64 42 49 61 / Fax: +33 (0)1 55 02 16 63  
E-mail: [cassese.sa@cassese.com](mailto:cassese.sa@cassese.com)

---

### **EXPORT DEPARTMENT**

Tel: +33 (0)1 64 42 49 71/73

Fax: +33 (0)1 55 02 29 48

Website: [www.cassese.com](http://www.cassese.com) /// E-mail: [export@cassese.com](mailto:export@cassese.com)

---

### **SERVICE APRES-VENTE / AFTER SALES DEPARTMENT / KUNDENDIENST DIENST / SERVICIO TECNICO**

Tel: +33 (0)1 64 06 24 51  
[tecsupport@cassese.com](mailto:tecsupport@cassese.com)